

Datasheet: CO2 traffic light digital display CO2-AD 200

Description

Ideal for monitoring CO2 concentration in buildings where people are present:

- Schools
- universities
- hospitals
- offices
- factories
- Public facilities

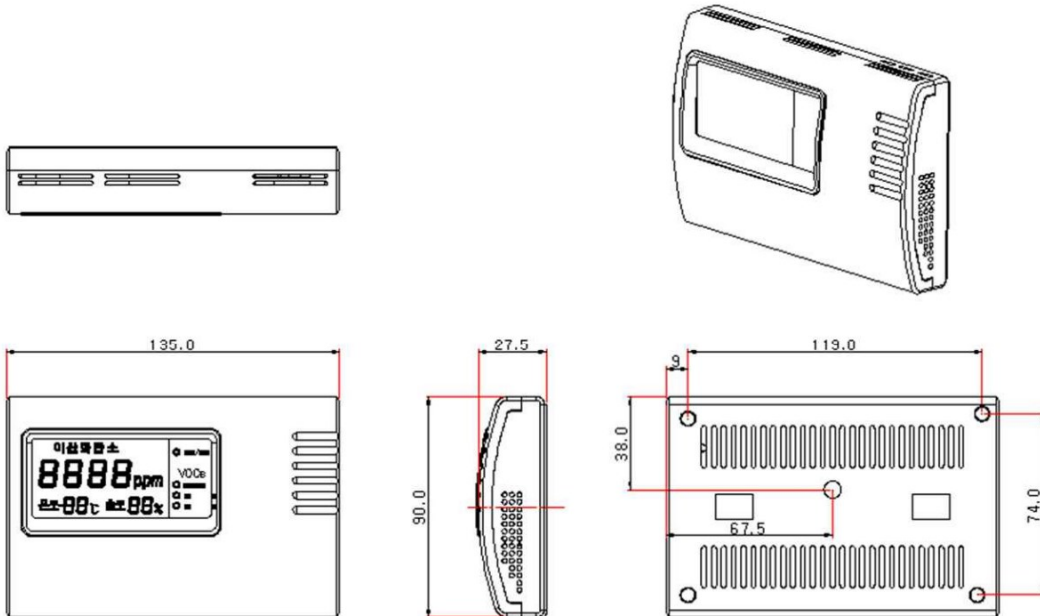


Technical data	CO ₂ -AD 200
Measuring methode	Dual Wavelength NDIR (CO ₂)
Measuring range	0 - 9.000 ppm (CO ₂)
Measurement accuracy	± 30ppm + 3% of the reading value
Display lighting	< 1.000ppm (Green) 1.400ppm (Yellow) > 1.400ppm (Red)
Responsiveness	40 sec
Measuring interval	1,5 sec
Temperature dependence	0,2 % / °C
Ambient temperature	0 - 50 °C
Power supply	230VAC Adapter
Measuring range temperature	0 - 50 °C and +-1° Accuracy
Measuring range relative humidity	20...90% rF and 5% Accuracy
Case dimensions	135x 90 x 28mm
Weight	450 g
Protection class	III to EN 60730

Technische Änderungen
vorbehalten



Datenblatt: CO₂ Ampel Digital Anzeige CO₂-AD 200



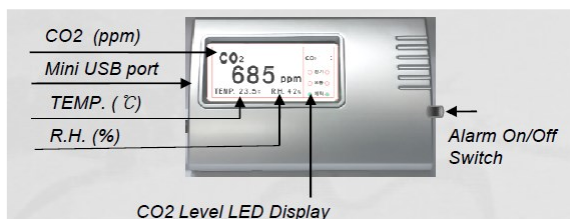
Package contents:

- CO₂ meter
- AC / DC 12V adapter
- USB cable
- Manual

Setup:

- Connect the power supply to the CO₂ meter
- Warm up time requires 2 minutes
- A USB cable is provided for connection to the computer

Description Display:

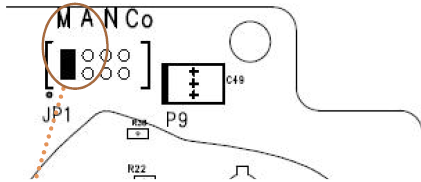


CO₂ Level:

- Normal = Green < 1.000ppm
- High = Yellow 1.000ppm bis 1.400ppm
- Very high = Red > 1.400ppm

Datenblatt: CO₂ Ampel Digital Anzeige CO₂-AD 200

calibration:



M = Manual calibration (10 min. at outside air 400ppm).
A = Automatic calibration (recommended)
N = No calibration